



# Allsteel®

Designed to work. Built to last.

The  
Concensys®  
Workspace



The simple solution  
is often the best.

## Stronger.

Looking for a furniture solution built to last? With durable all-metal construction and factory-welded components that arrive fully assembled, the Concensys panel system is engineered to retain its structural integrity through multiple reconfigurations and extended use.

## Faster.

Need to get your office up and running quickly? Our standard shipping program averages three weeks or less at no additional charge. Orders will arrive to you complete and on time. If your schedule is really aggressive, choose the Express Solutions® five-day quick-ship program for expedited delivery.

## Friendlier.

Want an intuitive furniture system designed with your long-term needs in mind? Concensys is easy to specify, order, use, and re-use. The thin-profile panel design reduces the space necessary to set up your office. To give your workspace real character, surfaces come in a range of fabrics, finishes, and material selections.

## The Concensys choice.

Backed by Allsteel's Lifetime Warranty and manufactured to strict environmental standards, the Concensys panel system unifies the essential elements of systems furniture in one high-value, best-in-class package. In a complicated world, Concensys is intentionally simple.

## It's a quality selection made easy.

Opposite and cover:  
6' x 7' workstations  
Panel fabric: Tasanee Birch Laminate  
(edge): Pearl Mist (Cloud) Paint: Fossil  
Seating upholstery: Tria® Solid Koala  
Frame finish: Black



## Build on your best asset.

Position your employees to perform at their productive best in an open, collaborative environment. Using Concensys as the foundation of your office, you'll promote staff interaction in the comfort of an efficient and flexible workspace.

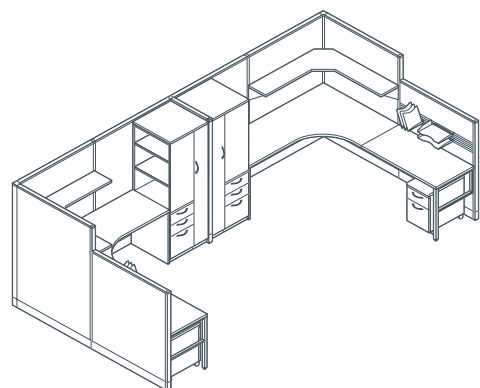
Concensys is built to perform the day it arrives and keeps performing for years to come. Steel panel frames and metal trim and connections make Concensys a substantial system engineered to last as long as your workplace needs it.



**Green fact:** Concensys is designed to be durable for many years of use and re-use, which benefits the environment by saving raw materials required to make new products. Concensys is an SCS Indoor Advantage certified product.

### 8' x 8' workstations

Panel fabric: **Tempest Gold Rush** Laminate (edge): **Whitestone (Muslin)**  
Paint: **Gunmetal Metallic** Seating upholstery: **Brisa® Ash (COM)**, **Brisa Butterscotch (COM)** Frame finish: **Mineral Grey**





Personal towers optimize your available space. Adjustable shelving and file storage help clear the crowded worksurface, and the integral wardrobe provides storage for coats and personal effects.



With Extensions™ organizational tools you can put all your active files and desk accessories within arm's reach, and arrange and re-arrange to respond to changing workflow.



Relate™ seating combines several innovative technologies that offer active ergonomics and superior support. Relate gives you more comfort and more control.



## Warm up the welcome of any office setting.

Administrative support areas should be inviting and productive. With Concensys, you can create an efficient, flexible, and highly versatile office where visitors receive a friendly greeting, and plenty of tasks get completed, too.

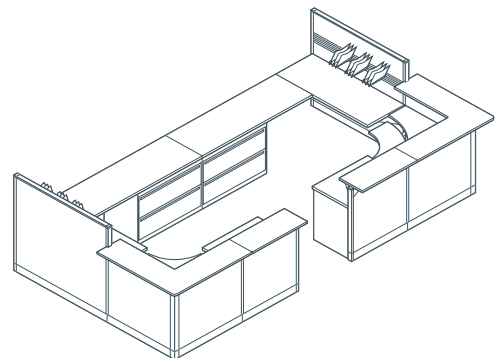
Allsteel incorporates customer feedback in a process of continuous product improvement, allowing Concensys to keep up with your office demands. Dedication to our customers means Concensys enhancements and additions retrofit to your existing Concensys products, giving you peace of mind that you can add and re-use components as your needs change over time.



**Green fact:** Concensys worksurfaces feature a low-formaldehyde backer on the underside, improving office air quality.

### 8' x 8'-6" workstations

Panel fabric: Shoji Parchment Laminate (edge): Shaker Cherry (Carob), Whitestone (Muslin) Paint: Muslin Seating upholstery: Savoy Vinyl Copper Clay Frame finish: Black





Clerk™ helps organize the work environment by providing an efficient way to hold project files and boxes while keeping them visible and accessible. Several empty carts can nest together for convenient storage.



Optional corner worksurfaces have fully integrated articulating keyboard platforms for maximum comfort.



Trooper® seating offers an unmatched combination of strength, comfort, and ergonomic controls for a wide range of workers in a wide range of office environments.



## Flexibility is factored in.

Whether you work in a government office, non-profit organization, small business, or major corporation, Concensys provides multiple design options with one product line.

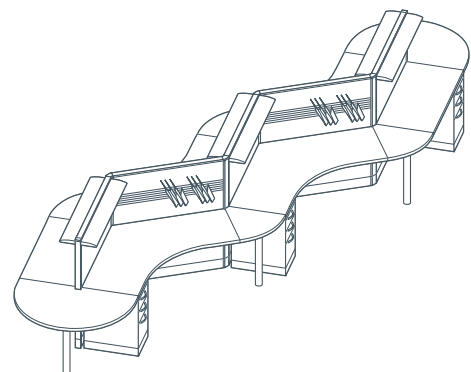
120-degree planning offers functionality and space savings for facilities managers who want to accommodate existing interior architecture and realize reduced real estate costs. This setup accommodates up to 25% more workstations in a given space compared to 90-degree connections. Besides varying the look of the office, the organic layout opens up workstation orientation and fosters teamwork.



**Green fact:** A typical Concensys workstation features 21% post-consumer and 28% pre-consumer recycled content and is easily disassembled for post-use recyclability.

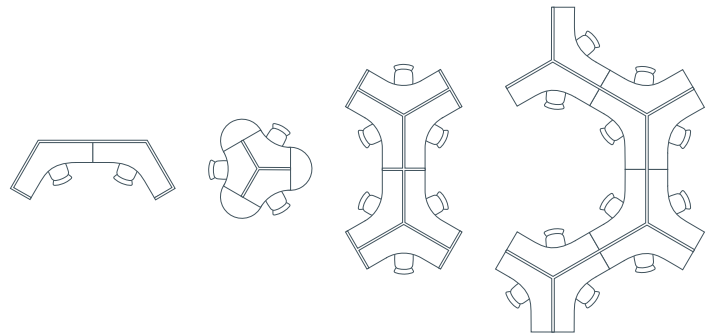
### 3' x 6' workstations

Panel fabric: Lucy Neutra Laminate (edge): Whitestone (Muslin) Paint: Champagne Metallic, Muslin Seating upholstery: Brisa Waylan (COM), Chord Umber Frame finish: Charblack





Make storage a matter of personal choice by choosing from a full selection of lateral files, pedestals, overhead cabinets, personal towers, and more.



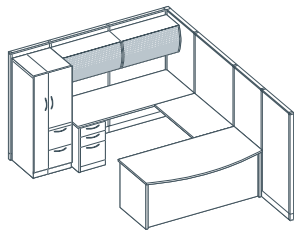
Concensys 120-degree workstations improve the flow of communication and provide privacy in an open plan environment. Set at a lower height, the panels also enable a healthy distribution of air and light.



## Concensys Freestanding: Free to be what you make it.

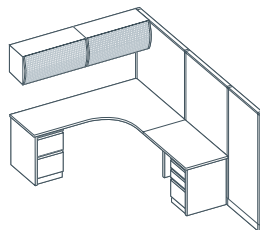
Concensys Freestanding furniture brings all the laminates, finishes, and paints of the panel-based offering to a private office setting. It even uses many Concensys components so you can simplify your inventory management by using common parts.

Just like panel-based Concensys, this freestanding desking features all-metal construction, configures easily, and provides plenty of workstation design and storage options. Quite simply, using Concensys Freestanding with the panel-based system allows you to furnish the entire office, from the front door to the corner office.



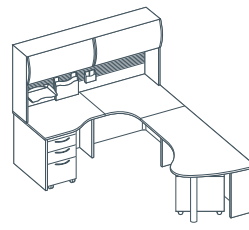
### Systems integration.

Concensys Freestanding works in combination with Concensys panels, extending the functionality of both product lines.



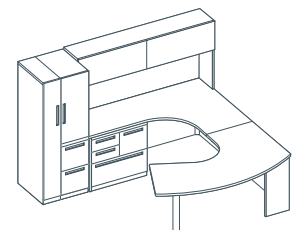
### Highly adaptable.

Make the most of building architecture by using an existing wall to create a semi-private workspace.



### Space utilization.

Multiple worksurface shapes offer unlimited design potential for using space creatively and efficiently.



### Team interaction.

The design flexibility allows you to create personal workspace and a team collaboration area in the same office.



**Green fact:** Concensys and Concensys Freestanding can support companies seeking LEED®-CI certification. Concensys Freestanding is an SCS Indoor Advantage Gold certified product.

### 6' x 9'-6" workstation

Tackboard fabric: Propeller Dusk  
Laminate (edge): Natural Maple (Warm Beige) Paint: Gunmetal Metallic Seating upholstery: Chatterbox Mineral, Tria Solid Blue Smoke Frame finish: Mineral Grey



Merge™ tables and Relate side chairs promote productivity beyond the desk. Whether for impromptu meetings or a change of scenery, they encourage teaming and collaboration.



Choose a desk-mounted hutch for extra storage above the worksurface. Then, add an integrated tackboard and tool rail and see how small tools make a big difference.



## Adept and Concensys: Slender yet strong.

Adept™ offers a new, light-scale way to configure office space. Dividers provide privacy and planning freedom while leaving the heavy lifting of overhead storage and cabling functions to the Concensys spine wall. The divider quick-connection method makes installation simple and future changes easy to manage. Off-modular capability allows you to slide desking units anywhere along the Concensys wall for offices of any size.

Adept dividers, desking, and storage create a fresh, modern look whether used in a new office space or to refresh an existing Concensys installation.

For more information, see the Adept brochure or visit [allsteeloffice.com/adept](http://allsteeloffice.com/adept).



**Green fact:** Adept provides access to daylight through the use of translucent dividers, meeting LEED requirements. Adept is an SCS Indoor Advantage Gold certified product.

### 6' x 7' workstations

Divider material: Fluted Translucent, Tasanee Silk, Pearl Bisque Panel fabric: Tasanee Silk Laminate (edge): Whitestone (Muslin) Cubby storage laminate: Frosty White Paint: Muslin Seating upholstery: Perennial Sage Frame finish: Black



Adept cubby storage keeps reports, files, and binders in view and close at hand.




## Reach and Concensys: Innovative, efficient, effective.

Reach™ feels different: the storage is the wall, and the wall is the storage in an office setting that's storage-intensive, space-efficient, and more open with lower Concensys panels. By placing high-capacity storage right in the wall, everything you need is now an arm's length away.

Because Reach is so efficient, a 6' x 8' office has more storage capacity than an 8' x 8' traditional office. With an organized workspace, you're more comfortable, more productive, and free to reach for the next accomplishment.

For more information, see the Reach brochure or visit [allsteeloffice.com/reach](http://allsteeloffice.com/reach).



 **Green fact:** Reach's environmental footprint is 14% less than traditional workstations using the same floor space. Reach is an SCS Indoor Advantage Gold certified product.

### 6' x 6' workstations

Panel fabric: Maharam Parallel Fog (COM) Laminate (edge): Whitestone (Muslin) Paint: Gunmetal Metallic Seating upholstery: Perennial Iris Frame finish: Black

Without storage utilizing under-desk space, you'll have room to stretch your legs, stash your gym bag, or nest a table so it's ready to roll for overflow projects.

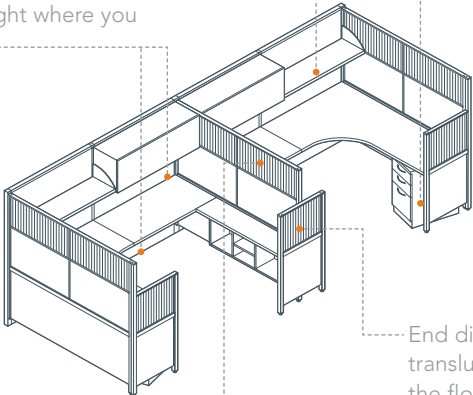
Sum™ seating conforms and adjusts automatically, providing comfort and support right where it's needed.

# Start with Concensys as the base, then enhance your office using Adept or Reach.

## Adept integrated with Concensys

Concensys as the spine brings power right to the desktop or base pathway, right where you need it most.

Integrate any Allsteel storage with Adept, from mobile pedestals to overheads and open shelves.



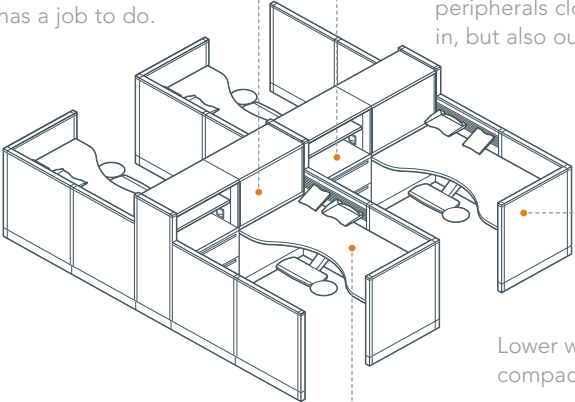
Full-height dividers can be segmented for design flexibility to mix textures, color, pattern, and light.

End divider options include translucent above to increase the flow of natural light and laminate below to ensure modesty.

## Reach integrated with Concensys

Tackable fabric tiles ensure every surface has a job to do.

Open shelving with power access provides a practical way to keep peripherals close by and plugged in, but also out of the way.



Lower wing walls make compact offices feel big.

To simplify inventory, worksurfaces come in non-handed shapes that surround employees with functional, workable desking and let them face into the corner, center, or out the door.

## Enhance your workplace experience.

Systems enhancers work with Concensys to increase planning flexibility and design options, solving your workspace challenges in unique ways. Use Adept dividers to lighten the aesthetic, or Reach to create compact, storage-rich offices.

## Set yourself apart.

Concensys lets you customize your environment with finishing touches that give your hard-working panel system substance and style. From drawer pulls to storage fronts, top trim to worksurface edges, Concensys features thoughtful, functional details.



Consider your overhead storage options. Above, from top to bottom: radius, radius mesh, flat door, and a non-intrusive receding door (not shown). Radius and radius mesh doors available with an arch pull and easy-assist door.

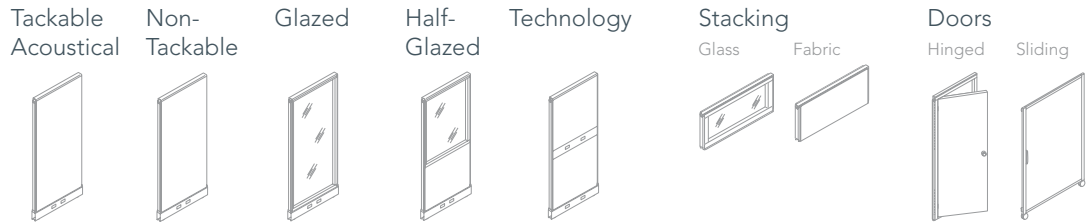
Top trim can contribute to the design statement. Above, from top to bottom: cableway, low-profile painted, and low-profile wood.

Drawers offer an added hint of design with a variety of pull styles. Above, from top to bottom: integral, arch, and beveled pulls.

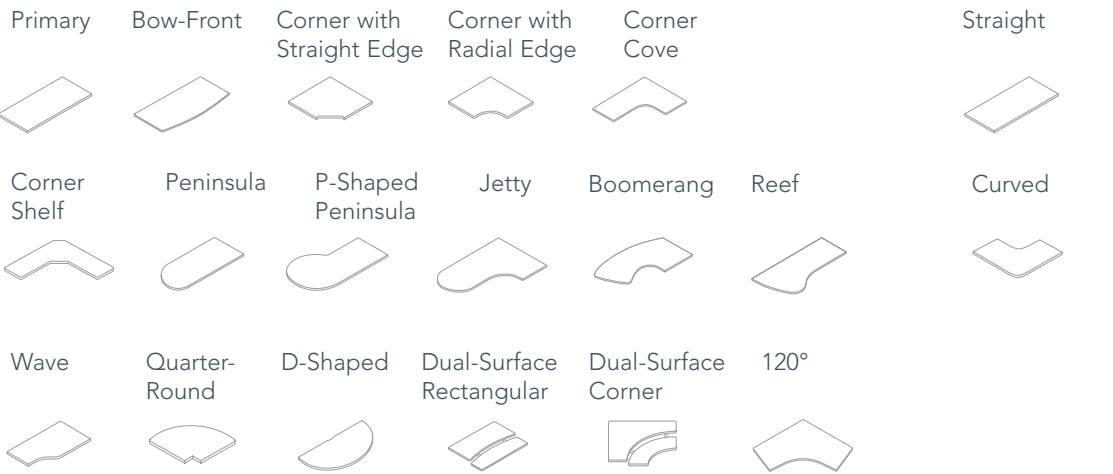
# Concensys

## Statement of Line

### Panels



### Worksurfaces



### Merge Tables



See the Merge brochure for additional Merge products and tabletop shapes. Adaptive tables available with X base and casters only. Power Bay™ tables available with T base and glides only. Lift & Release™ adjustable-height legs available with glides or casters.

### Get Set Tables



See the Get Set™ brochure for additional Get Set products. Standard and folding tables available with casters or glides. Nesting, dual-motion, and technology tables available with casters only. Adjustable-height tables available with glides only.

## Altitude Adjustable-Height Tables

Rectangular



Dual-Surface  
Rectangular



Corner



Dual-Surface  
Corner



Altitude® worksurfaces featuring articulating keyboard platforms also available.

## Storage

### Overheads

Radius



Radius Mesh



Receding Door



Flat Door



### Bookshelf



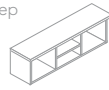
### Bookcases

2-, 3-, 4-,  
5-, 6-Shelf



### Cubby

Shown mounted  
beneath 12" deep  
worksurface



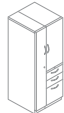
### Personal File

2-High

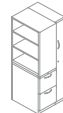


### Personal Towers

5-High



5-High with  
Side Shelves



### Combination Files

5-High with  
Hinged Doors



5-High with  
Open Shelves



### Storage Cabinets

3-High



5-High



### Laterals

2-, 3-, 4-, 5-High



### Clerk



### Pedestals

Freestanding



Mobile



Suspended



Worksurface  
Support



### Mobile Pedestal Tops

Steel



Laminate/Veneer



Transport



Seat Cushion



## Freestanding Desking

Concensys Freestanding is created with worksurfaces, supports, modesty panels, end panels, and brackets. It's compatible with storage components from both the Persona™ and Essentials™ Collections. The flexible, universal design of Concensys Freestanding supports virtually any workstyle and any interior aesthetic. It integrates with Concensys panels to create even more possibilities to solve office space challenges.

### Hutches

Flat Doors



Radius Doors



Open



### Tackboard

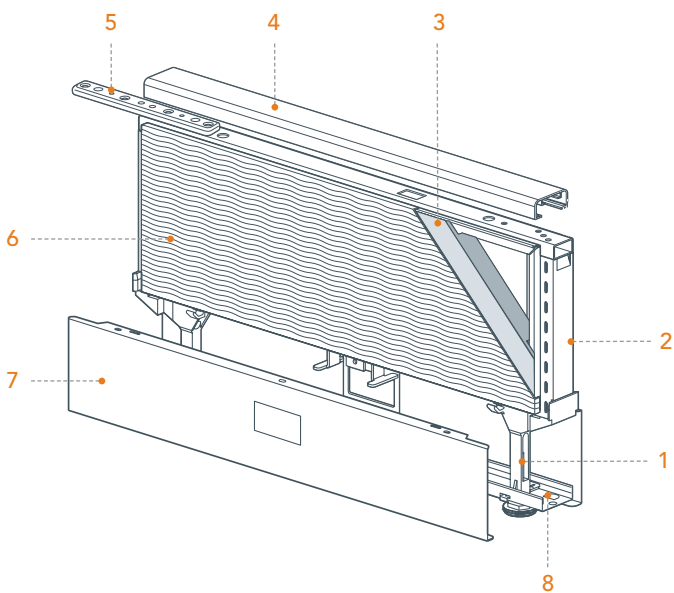


See the Concensys Freestanding brochure for additional freestanding options.

## Extensions Work Tools

See the Extensions brochure for a complete selection of ergonomic (keyboards, computer accessories), organization (paper management), and illumination (lighting) options.

1. Internal panel leg with leveler
2. Welded steel frame
3. Sound-absorbing fiberglass surrounding both sides of a center core
4. Metal top trim
5. Metal panel-to-panel connector
6. Fabric
7. Metal base cover
8. Metal lay-in cabling tray



## A strong selection any way you look at it.

Concensys gives you solid construction thanks to robust engineering and high-quality materials. Concensys is built to last as long as you need it—a commitment backed by Allsteel’s Lifetime Warranty.

Equally important, Concensys offers the best price-to-performance ratio of any comparable system. It reliably does the job it was designed to do, day-after-day, year-after-year, without straining your budget.



Worksurface edges are finished with vinyl edgeband with either a flat or slightly radiused profile.

The underside of high-pressure laminate worksurfaces have threaded metal inserts for easy alignment and reconfiguration and a steel reinforcement channel that helps prevent bowing and warping.

Optional technology panels let you distribute power and data to the worksurface. You retain access for upgrades or maintenance with an easily removable cover.

## Concensys

It's the strongest, fastest, friendliest solution, all for an unbeatable total lifetime cost. When you add up initial purchase price, product lifespan, and built-in functionality that accommodates continuous re-use and expansion, it's clear why Concensys endures as a best-in-class office furniture system. Exceptional quality at an attractive price. Make a selection that rewards your decision for years to come.

For more information, please visit [allsteeloffice.com](http://allsteeloffice.com).

### Respecting the environment.

At Allsteel, we help our business partners achieve a positive environmental impact and understand that environmental stewardship benefits us all. We ensure that all materials balance performance and environmental responsibility. Relevant, durable, high-quality products, backed by Allsteel's Lifetime Warranty, guarantee years of use and re-use.

# Allsteel®

Designed to work. Built to last.

Allsteel Inc.  
Muscatine, Iowa 52761-5257  
[allsteeloffice.com](http://allsteeloffice.com)

Form # A7665 (09/07)

Printed in USA

©2007 Allsteel Inc.  
Allsteel, Allitude, Concensys, Express Solutions, Tria and Trooper are registered trademarks and Adept, Clerk, Designed to work, Built to last, Essentials, Extensions, Get Set, Lift & Release, Merge, Persona, Power Bay, Reach, Relate and Sum are trademarks. Brisa is a registered trademark of Ultrafabrics, LLC. Indoor Advantage is a trademark of Scientific Certification Systems. LEED is a registered trademark of the U.S. Green Building Council.

Allsteel supports green initiatives in the contract furniture industry as a member of the U.S. Green Building Council. Concensys and Concensys Freestanding are SCS Indoor Advantage™ certified products.

